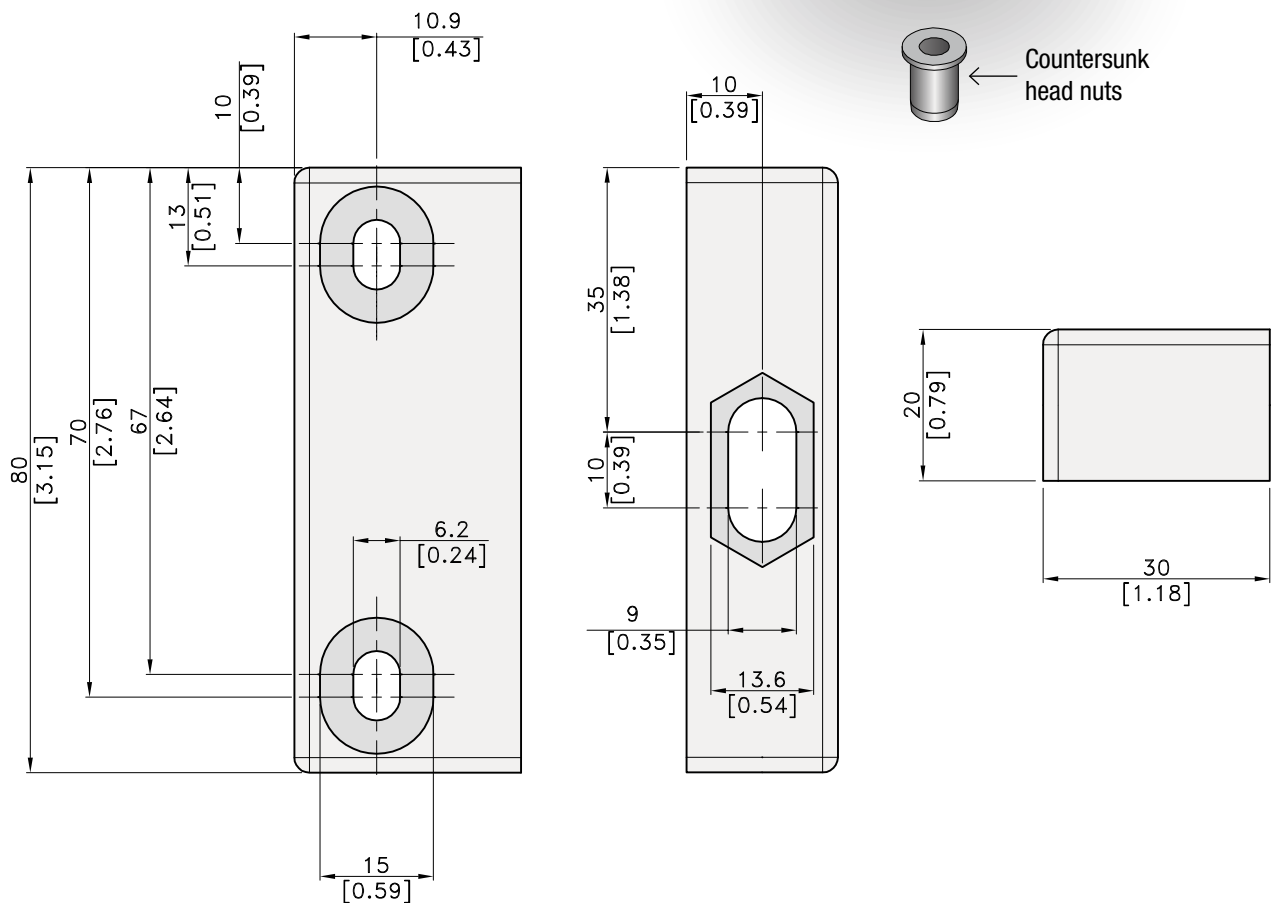
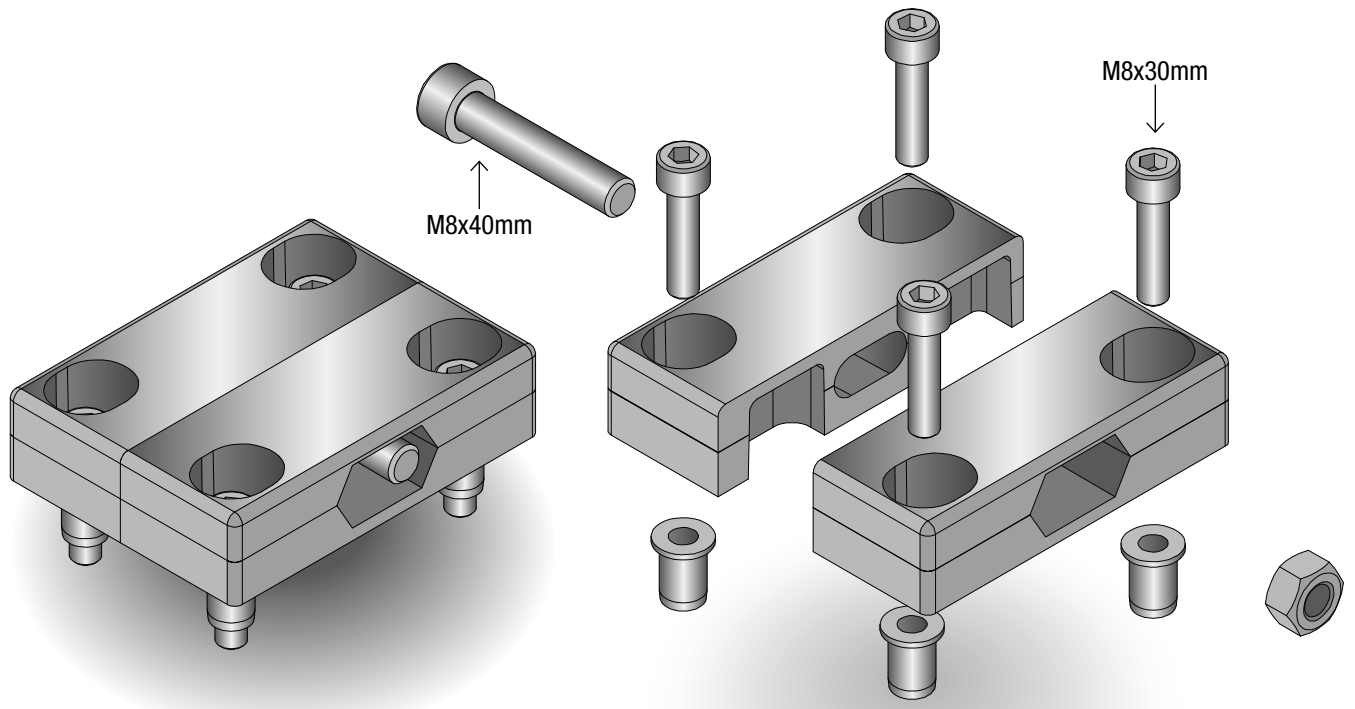


# GU-1800000 180° unit connection



## GU-1800000

This solution enables to fix two units externally.

Designed to be applied on all structures, the GU-1800000 is made of two die-casted aluminium parts connected to the structures using M8x30mm screws, it ensures a better seal between the modules thanks to the specific tightening system to each other.

