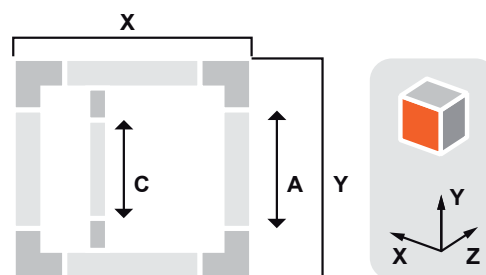


Cutting conditions of the profiles



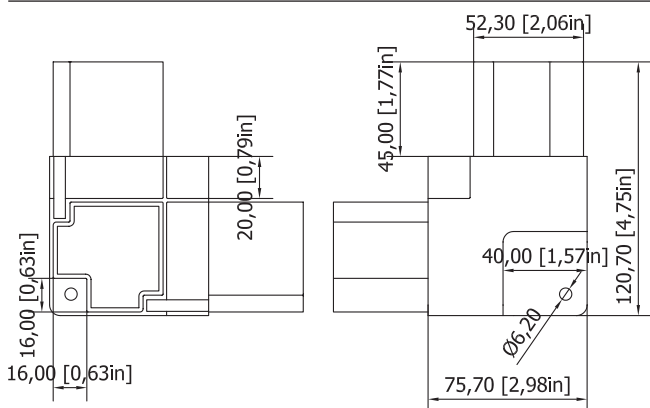
$A = Y - 151.4 \text{ mm} / 5.9''$
$C = Y - 151.4 \text{ mm} / 5.9''$

The formulas are valid for all sides of the module
Y = external dimension

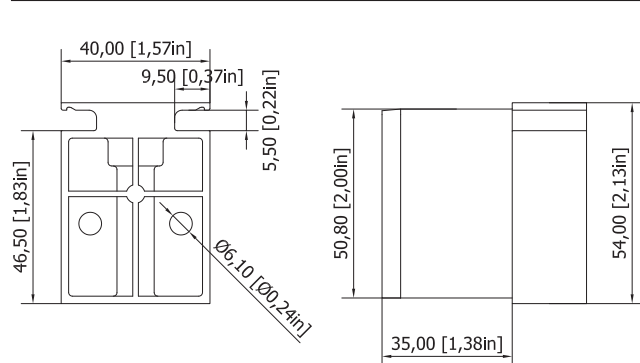
Nylon accessories

ABP530-450 Main corner	GBP250-450 Omega joint	TECHNICAL DATA
		External dimension 56 mm / 2.18"
Weight: 160 g	Weight: 36 g	Panel thickness 45 mm / 1.76"
		Material PA6 + GF 20%
		Color Black

ABP530-450



GBP250-450

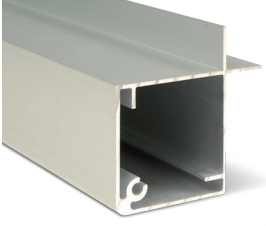
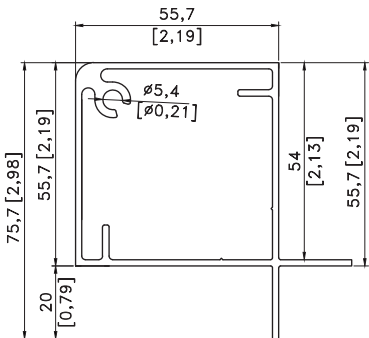


Aluminium profiles

TECHNICAL DATA

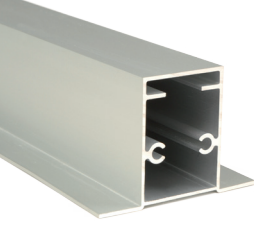
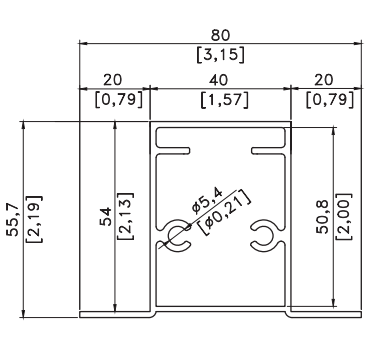
Material	Extruded aluminium EN AW 6060
Treatment	T6
Color	RAL

P150-50000 Main profile

External dimension: 56 mm
Panel thickness: 50 mm
Weight: 1.462 kg/m

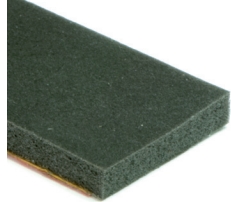
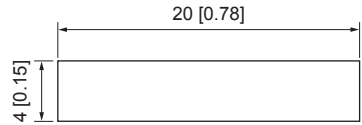
P350-50000 Omega profile

External dimension: 40 mm
Panel thickness: 50 mm
Weight: 1.315 kg/m

Gaskets


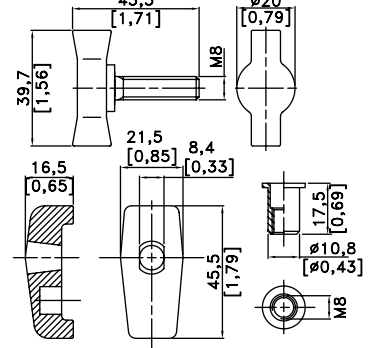
GUAR.020X4 Self-adhesive gasket

Material: Foamed PVC
Temperatura: -20°C/+75°C
Color: Black

Panel block

B50FGC.000 Nylon panel block

Material: PA6 + GF 20%
Weight: 20 g
Color: Black

Screws

V-25-BR000 M6 25 mm
Screws for omega joint



Material: Zinc nickel

VTE6X45ZNN Screw M6 45 mm
VTE6X65ZNN Screw M6 65 mm



Material: Black zinc nickel

