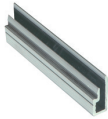
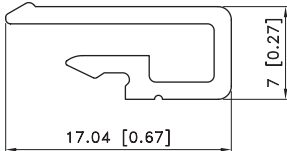


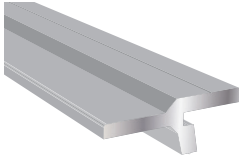
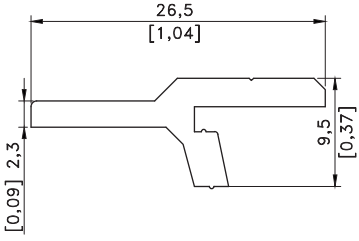
### Panel Thickness 25 mm

PBP-000000 Panel block profile	
	
External dimension: <b>7 mm</b>	
Panel thickness: <b>25 mm</b>	
Weight: <b>0.126 kg/m</b>	

#### TECHNICAL DATA

Material	Extruded aluminium EN AW 6060
Treatment	T6
Color	RAL

### Panel Thickness 30 mm

PBP-200000 Panel block profile	
	
Panel thickness: <b>30 mm</b>	
Weight: <b>0.227 kg/m</b>	

#### TECHNICAL DATA

Material	Extruded aluminium EN AW 6060
Treatment	T6
Color	RAL

### Standard Version

