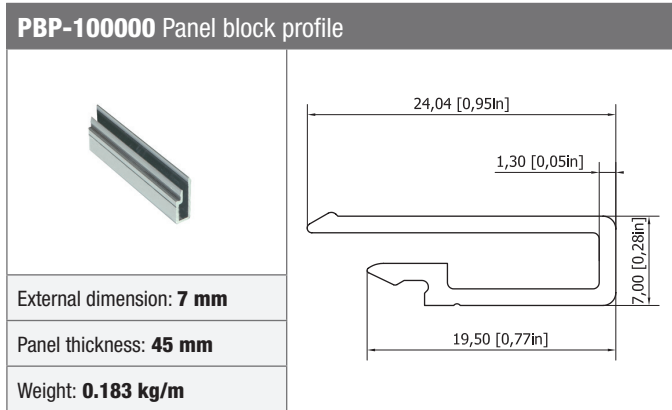


Standard / Thermal Break STOPPER System

Panel 45/50 mm

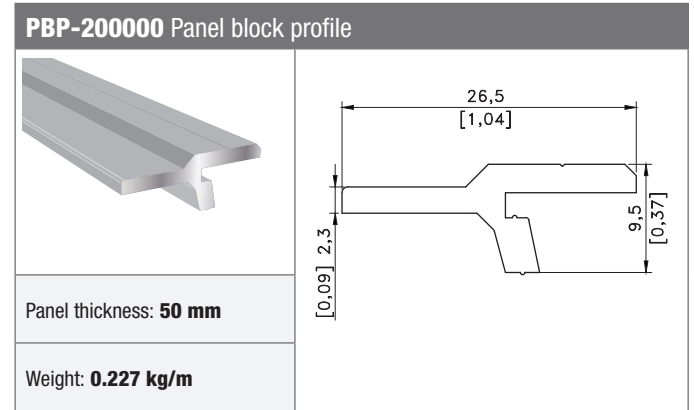
Panel Thickness 45 mm



TECHNICAL DATA

Material	Extruded aluminium EN AW 6060
Treatment	T6
Color	RAL

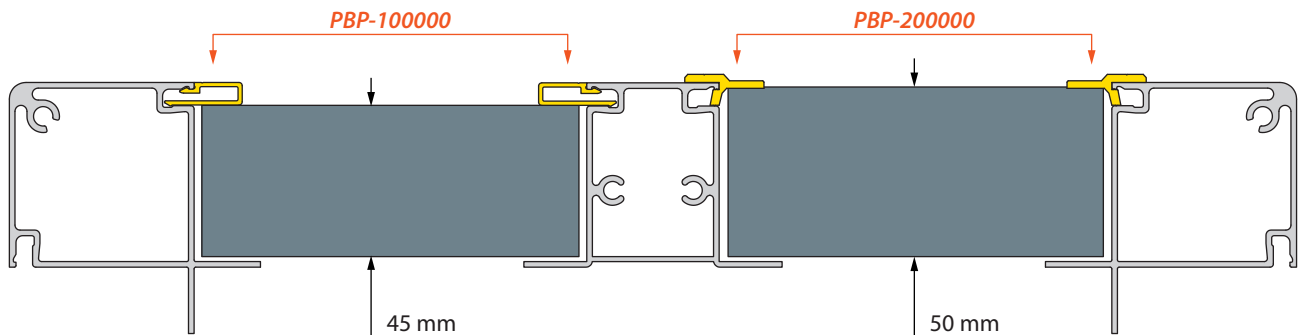
Panel Thickness 50 mm



TECHNICAL DATA

Material	Extruded aluminium EN AW 6060
Treatment	T6
Color	RAL

Standard Version



Thermal Break Version

