

TESTED!
D1 L1
T2 TB2
 DIN EN 1886



Joining corners make even more simple and accurate the assembly of different structures, due to the special "positioning spheres"

Nylon accessories

TECHNICAL DATA

External dimension:

56 mm / 2.18"

Panel thickness:

45 mm / 1.76"

Material: PA6 + GF 20%

Color: Black

ABP530-450 Main corner



Weight: **160 g**

GBP250-450 Omega joint



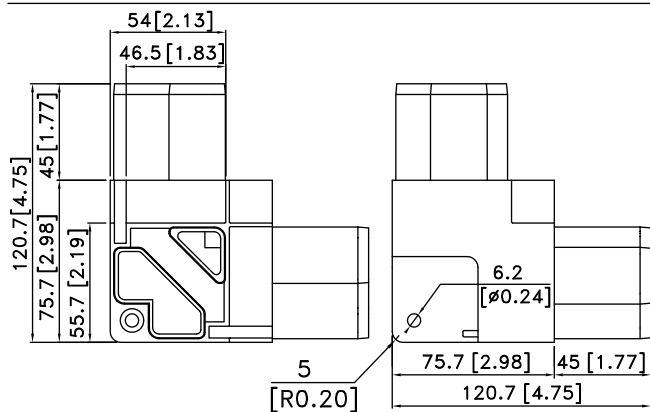
Weight: **36 g**

ABPG530-45 Joining corner

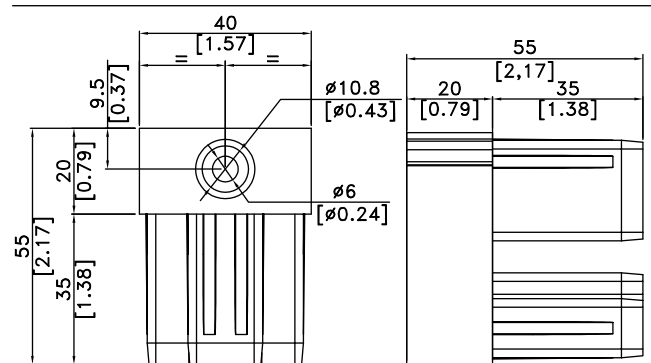


Weight: **150 g**

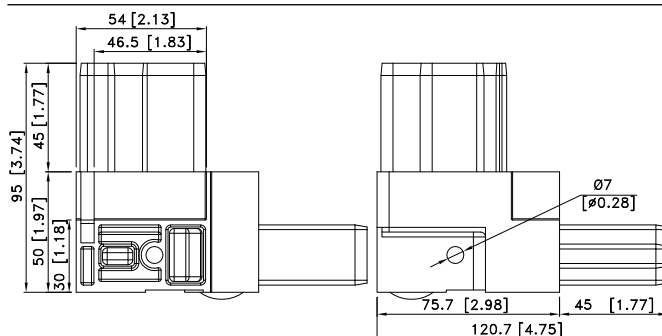
ABP530-450



GBP250-450



ABPG530-45

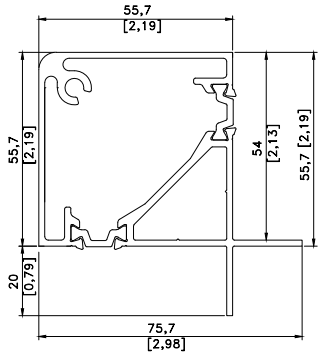


Aluminium profiles

TECHNICAL DATA

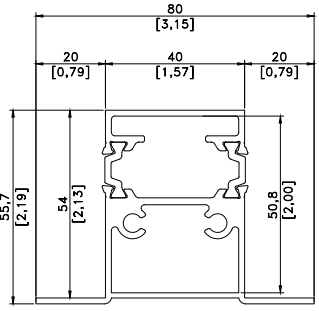
Material	Extruded aluminium EN AW 6060
Treatment	T6
Color	RAL

PTT150-500 Main profile



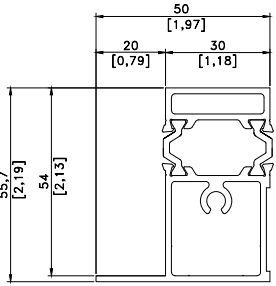
External dimension: 56 mm
Panel thickness: 50 mm
Weight: 1.821 kg/m

PTT351-500 Omega profile



External dimension: 40 mm
Panel thickness: 50 mm
Weight: 1.697 kg/m

PTT450-500 Joining profile



External dimension: 30 mm
Panel thickness: 45 mm
Weight: 1.314 kg/m

Screws

VTE6X45ZNN Screw M6 45 mm
VTE6X65ZNN Screw M6 65 mm



Material: **Black zinc nickel**



V-25-BR000 M6 25 mm
 Screws for omega joint



Material: **Zinc nickel**

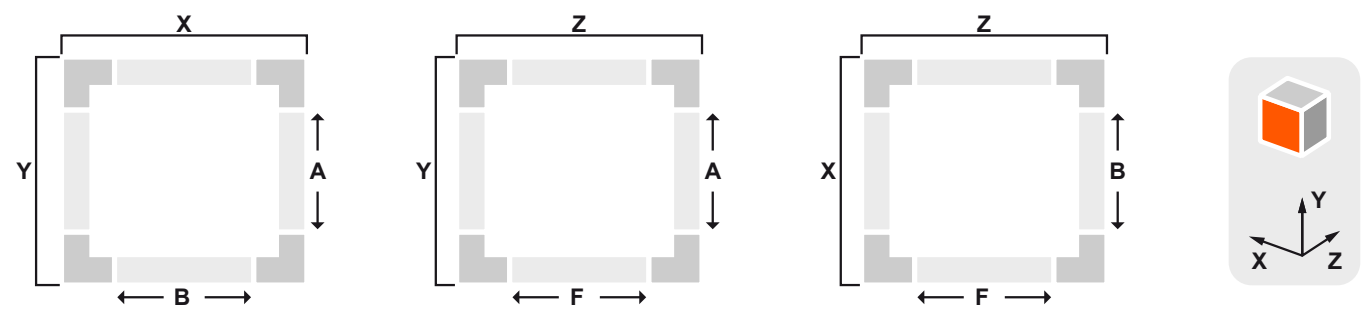
Gasket

GUAR.020X4 Self-adhesive gasket




Material: **Foamed PVC**
 Temperatura: **-20°C/+75°C**
 Color: **Black**

Cutting conditions of the profiles



$A = Y - 151.4 \text{ mm}$ $B = X - 151.4 \text{ mm}$	$A = Y - 151.4 \text{ mm}$ $F = Z - 125.7 \text{ mm}$	$B = X - 151.4 \text{ mm}$ $F = Z - 125.7 \text{ mm}$
--	--	--

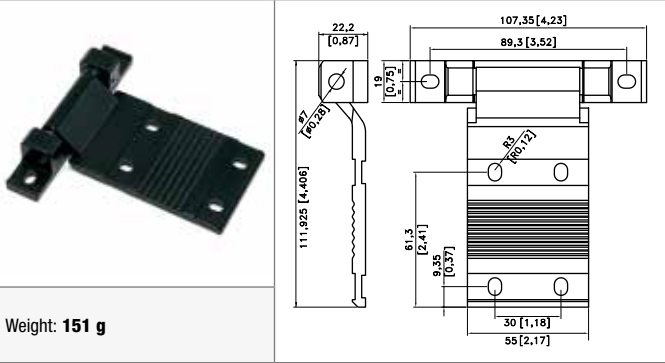
The formulas are valid for all sides of the module
Y - X - Z = external dimensions

Extruded aluminium hinges model 110

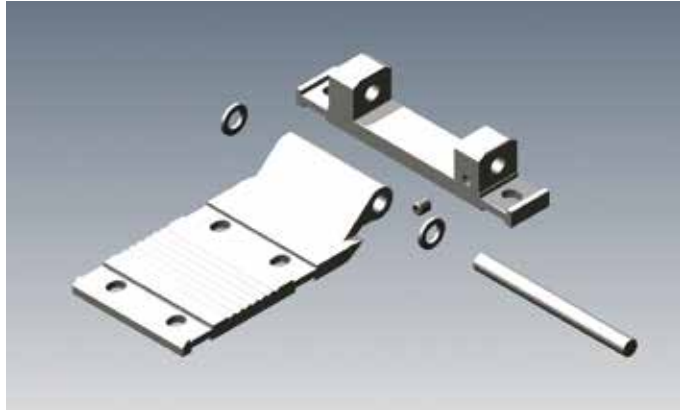
TECHNICAL DATA

Material	EN AW 6060
Finish	Painted / Anodized
Color	Black

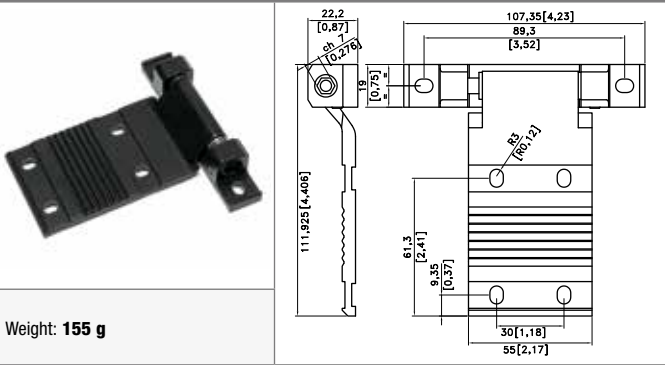
CE110-0300 Aluminium hinge



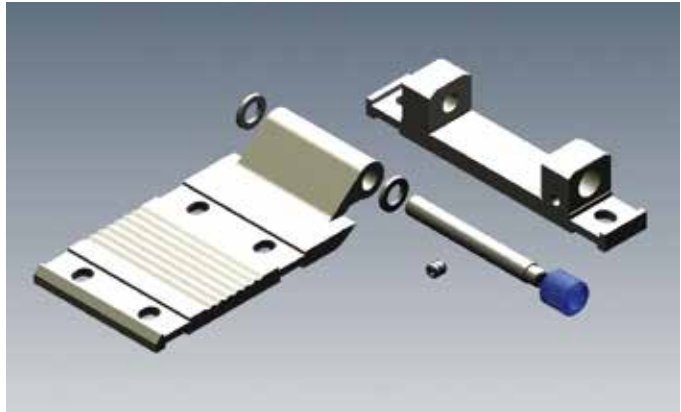
Weight: 151 g



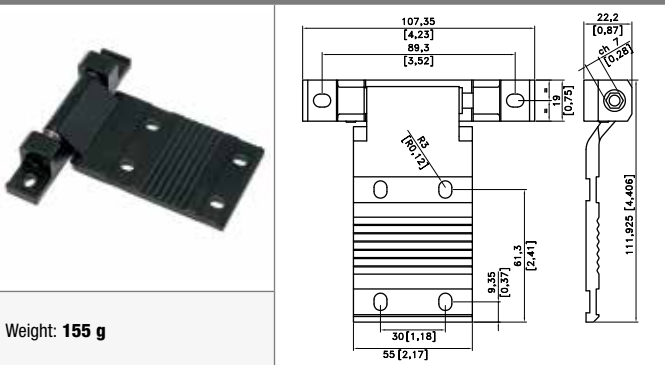
CE110R-D03 Adjustable aluminium hinge right assembling



Weight: 155 g



CE110R-S03 Adjustable aluminium hinge left assembling



Weight: 155 g

