

**TESTED!**  
**D1** **L1**  
**T3** **TB4**  
 DIN EN 1886

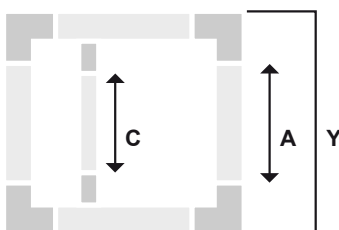
**TEST REPORT N. MB584**  
**ACCORDING TO DIN EN 1886 (07/2009)**

Description	Classification of the casing
Thermal transmittance	<b>T3</b>
Thermal bridging of the casing	<b>TB4</b>
Mechanical strenght of casing	<b>D1 (M)</b>
Casing air leakage (after determination of the strength of the casing)	<b>L1 (M)</b>

The new range of AZ185AC ALUZINC steel profiles, according to DIN EN 10346 and DIN EN 10143, are now available on catalogue. The system consists of the codes PAZ150-450 and PAZ350-450 (respectively, main profile and omega profile) for 45 mm panel.

Together with the EN AB46100 aluminium alloy die-cast accessories, (AAZ150-450 corner and AAZ350-450 omega joint), this system will make the manufacturing of sturdier and larger AHU extremely easy and resist to corrosion.

### Cutting conditions of the profiles



$$A = Y - 140 \text{ mm} / 5.46''$$

$$C = Y - 140 \text{ mm} / 5.46''$$

The formulas are valid for all sides of the module  
 Y = external dimension

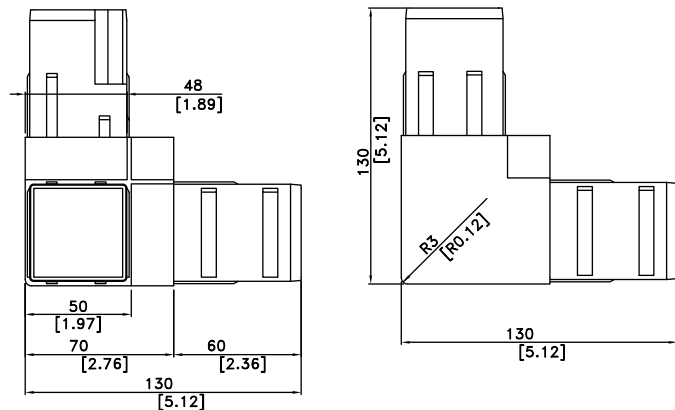
## Aluminium accessories

<b>AAZ150-450</b> Main corner	<b>AAZ350-450</b> Omega joint
	
Weight: <b>510 g</b>	Weight: <b>96 g</b>

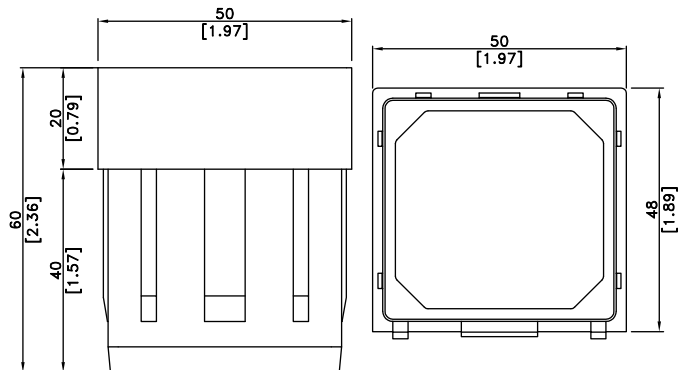
### TECHNICAL DATA

Panel thickness	45 mm / 1.77"
Material	EN AB 46100
Color	Natural

## AAZ150-450



## AAZ350-450

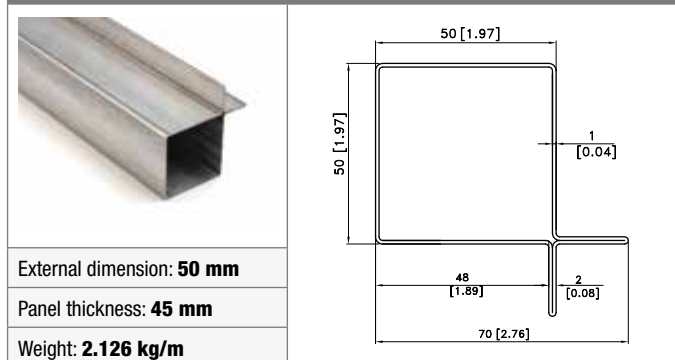


## Aluzinc steel profiles

### TECHNICAL DATA

Material	AZ185AC aluzinc steel according to DIN EN 10346 and DIN EN 10143
Color	Natural

### PAZ150-450 Main profile



### PAZ350-450 Omega profile without channel

