

Droplet Separator completely in aluminium

PSG10 / PSG33



APS Arosio presents the new anchor of the blades in extruded aluminum EN AW 6060 T6, code KITPSG04AL , which together with the use of aluminum blades allows the realization of droplet separators without plastic components.

Construction:

- Frame - Extruded aluminium, EN AW 6060 T6
- Blade - aluminium (EN AW 6060 T6)
- Special system of anchorage in aluminium

Design:

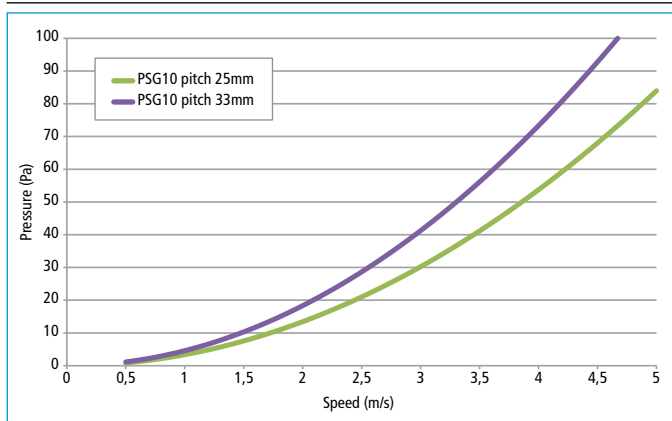
- Blade - 25 mm pitch

Options:

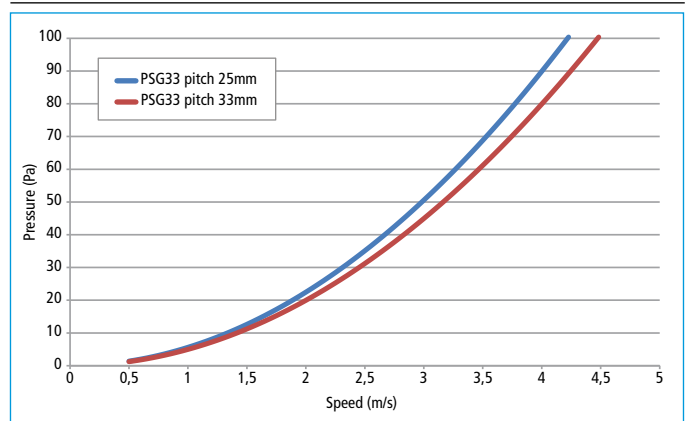
- Anodized / painted profiles
- Secondary process on the frame (ex. blunted corners and holes)

Test - Pressure drop / ISTITUTO GIORDANO

PSG10



PSG33



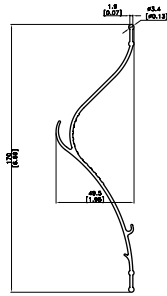
Dimensional details

PSG10

TECHNICAL DATA

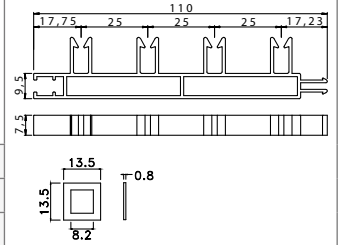
Max profile lenght 6000 mm / 234"

PSG10-0400 Blade profile h. 170 mm / 6.69"



Material: **EN AW 6060**
 Finish: **Natural / Painted / Anodized**
 Treatment: **T6**
 Weight: **1.269 kg/m**

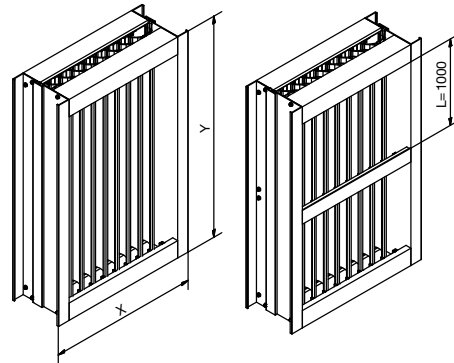
KITPSG04AL 25 mm pitch aluminium profile



Material: **aluminium/galvanized steel**
 Finish: **Natural**
 Treatment: -
 Weight: **1.269 kg/m**

Cutting table

| | |
|---|-------------|
| Top/Bottom profile PSG-000000 | = X - 60 mm |
| Shoulder profile PSG10-0200 | = Y |
| Blade profile PSG10-0400 | = Y - 50 mm |
| Closing profile PSG-06-000 | = Y - 48 mm |
| Reinforcement profile PSG-100000 | = X - 60 mm |

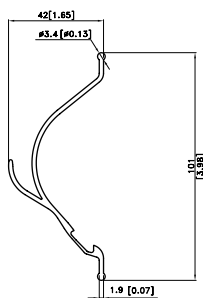


PSG33

TECHNICAL DATA

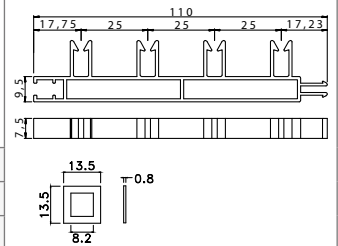
Max profile lenght 6000 mm / 234"

PSG33-0400 Blade profile h. 101 mm



Material: **EN AW 6060**
 Finish: **Natural / Painted / Anodized**
 Treatment: **T6**
 Weight: **0.852 kg/m**

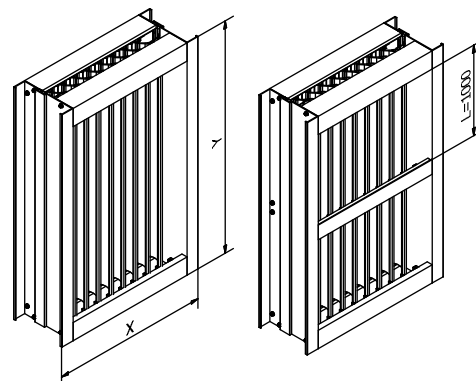
KITPSG04AL 25 mm pitch aluminium profile



Material: **aluminium/galvanized steel**
 Finish: **Natural**
 Treatment: -
 Weight: **1.269 kg/m**

Cutting table

| | |
|---|-------------|
| Top/Bottom profile PSG-000000 | = X - 60 mm |
| Shoulder profile PSG33-0200 | = Y |
| Blade profile PSG33-0400 | = Y - 50 mm |
| Closing profile PSG-06-000 | = Y - 48 mm |
| Reinforcement profile PSG-100000 | = X - 60 mm |



“APS AROSIO” DROPLET SEPARATORS

1. Before starting droplet separator assembly, please read the assembly instructions carefully.
2. Working operating conditions depend on blades and anchorage system material.
3. APS Arosio droplet separators are designed to be used in Air Handling Units. For other applications please contact us.
4. APS Arosio can only guarantee full functionality if you purchase complete droplet separators from us.
If you built them by yourself using our original components we guarantee the functionality in principle predicted that the droplet separator is built and mounted in according to our instructions and with professionalism. If only individual parts are purchased, we are only responsible for the components quality, dimensions and tolerances.
5. Pay attention to the fixation/installation of the droplet separator, otherwise APS Arosio will not be responsible for the functionality.
6. Avoid the use of aggressive solvents or acid solutions.
7. All APS Arosio products are guaranteed against defects in manufacturing for a period of one year from the date of shipment. If a defect should develop within this period, the customer must contact his referent in the APS Arosio agreeing before the return of the assembled product or parts of it, with transport at his charge with destination to our factory in Gessate, to be checked and then repaired or replaced up to our judgement. No responsibility is taken by APS Arosio in case of damages caused by corrosion, improper use of the products or use of aggressive solvents and acid solutions. No warranty is given in case of wrong installation or use of original parts together with not original parts.

A.P.S. Arosio S.p.A.
Arosio Claudio
The Sole Director



All stated specifications are subject to change without notice or obligation

